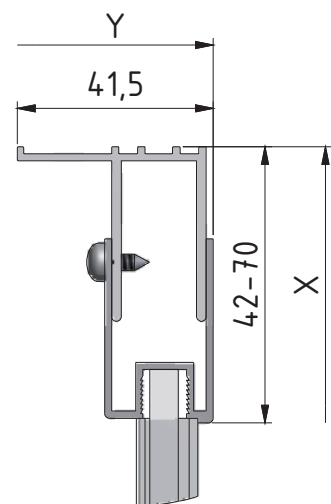
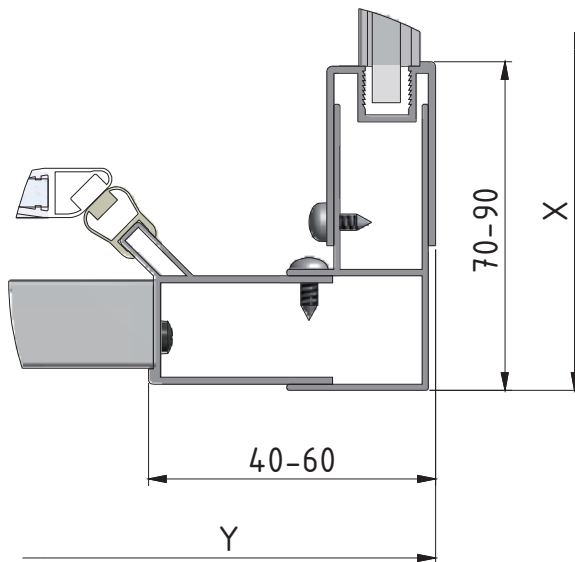
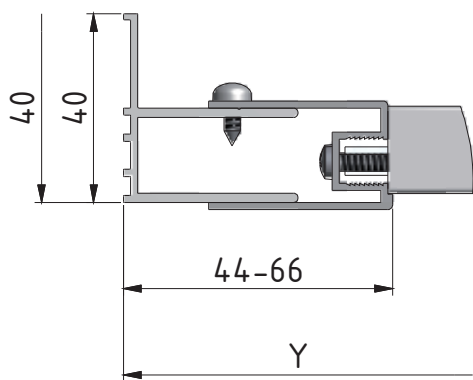
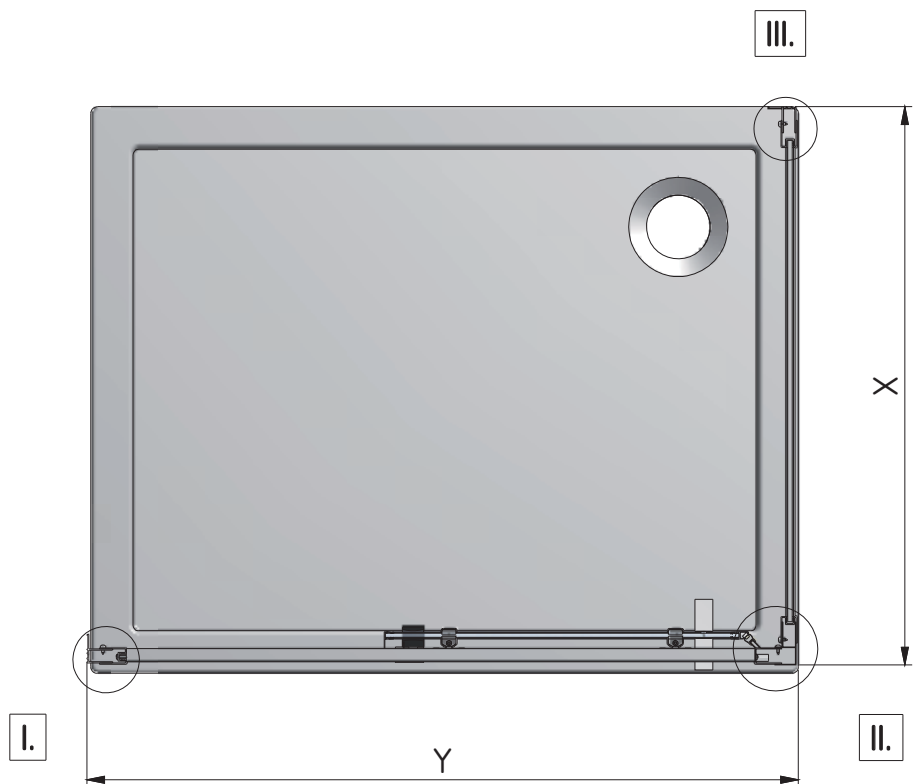
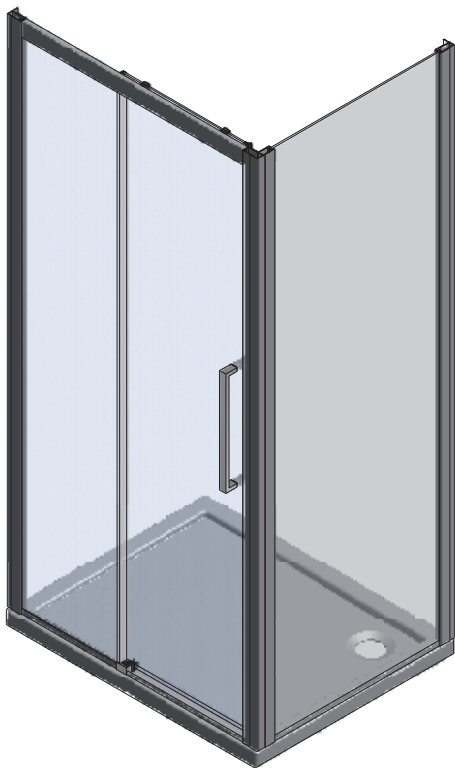
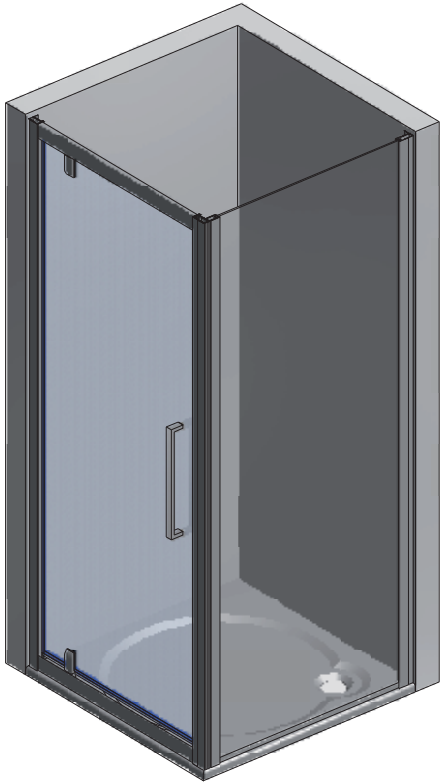


ECD2L+ECDBN

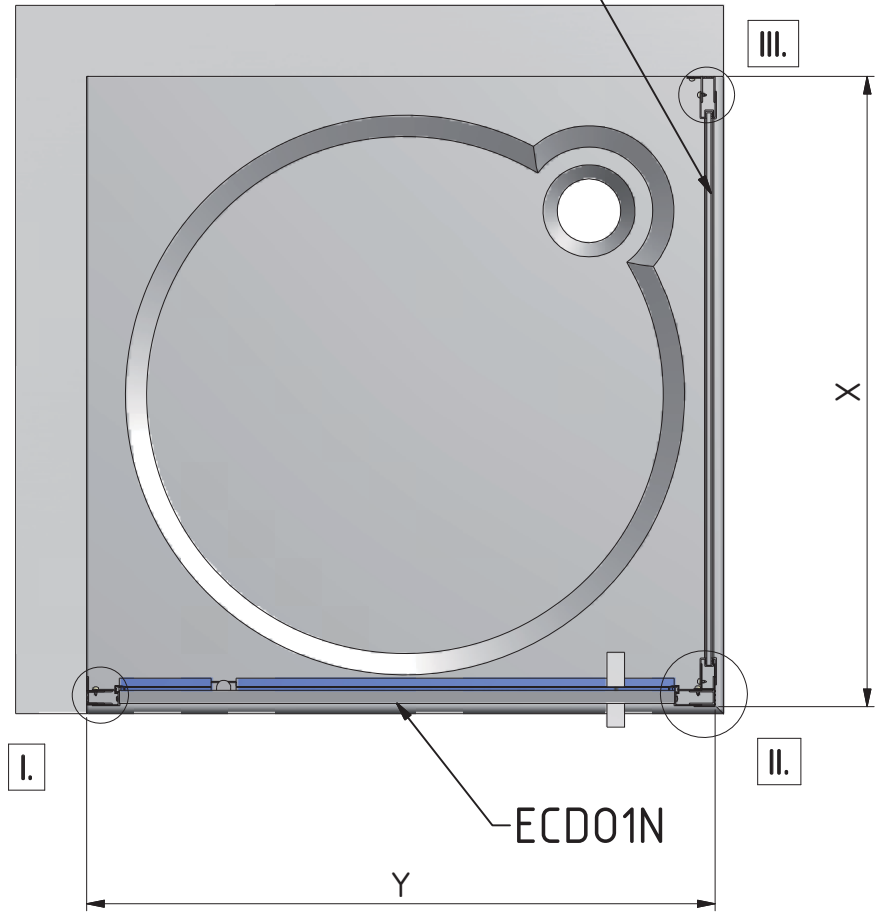


	X (MIN-MAX)	Y (MIN-MAX)
800	765-800	---
900	865-900	---
1000	965-1000	---
1100	---	---
1200	---	1165-1215
1300	---	1265-1315
1400	---	1365-1415
1500	---	1465-1515

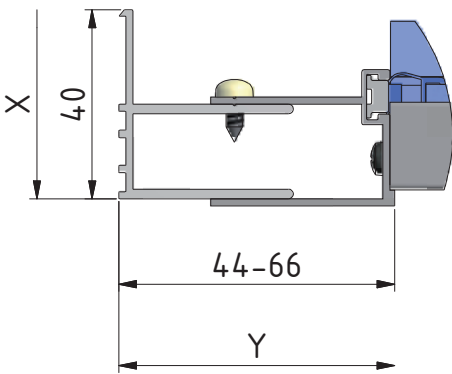
ECDO1N+ECDBN



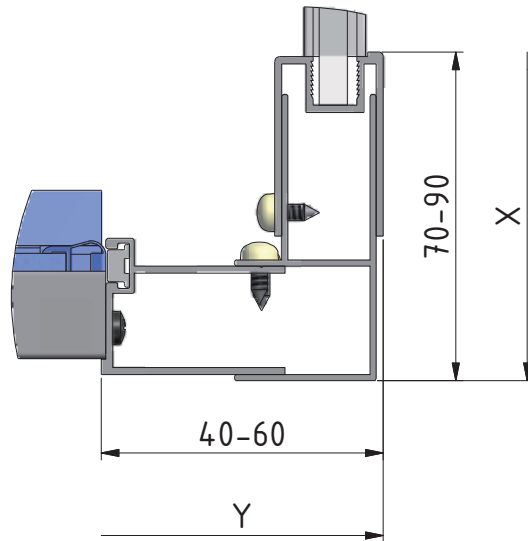
ECDBN



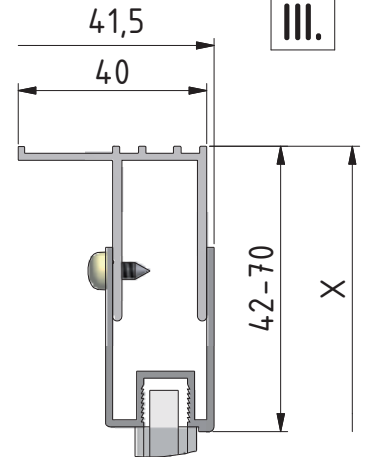
I.



II.



III.



	X (MIN-MAX)	Y (MIN-MAX)
800	765-800	775-815
900	865-900	875-915
1000	965-1000	975-1015
1100	---	1075-1115