

## Toilet seat Pure Stone

### Model

**98M1 S1** Pure Stone toilet seat with Soft Closing and Quick Release, incl. 9220 55 61 universal toggle hinge with Quick Release

### Product Description

Pure Stone toilet seat in Wrap Over design made of colour in-grained duroplast with hinge in stainless steel and plastic  
 – incl. universal toggle hinge with Quick Release in stainless steel  
 – centre distance: 113-193 mm  
 – load of ring seat: 240 kg  
 – 10 year guarantee

### Colour Programme

R1 White (Alpin)  
 R2 Star White  
 S3 Edelweiss

### Hinge Finish

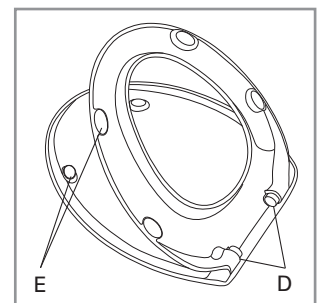
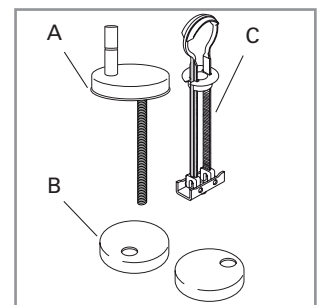
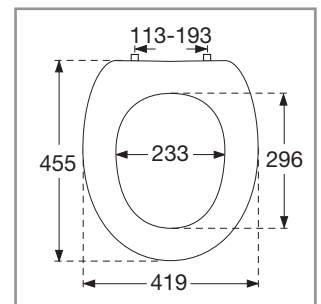
61 Stainless steel

### Spare Parts

A) 9220 55 61 Universal toggle hinge with Quick Release  
 B) 9222 05 00 Spare part cover caps for universal toggle hing with Quick Release.  
 C) 9218 96 00 Spare part for universal toggle hinge with Quick Release  
 D) 9224 49 00 Soft Closing packet  
 E) 9220 90 00 Buffers for seat and cover

### Cleaning Instructions

Use a mild soap solution. Seat and hinge should not be left damp, but be dried with a soft cloth. When using abrasive, corrosive or chlorine based cleaners for the bowl, avoid contact with seat and hinge as it may lead to damages or flash rust. Therefore, when cleaning the bowl, make sure that seat and cover are in an upright position until all the cleaner has been flushed away



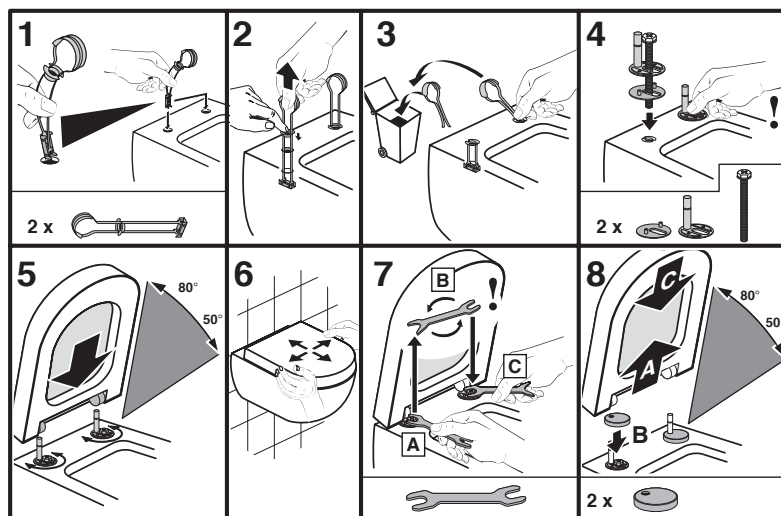
Villeroy & Boch

1748

# Toilet seat Pure Stone

## Instruction manual

9220 55 61



09/09

[Click here for video](#)

## Material Description

**TOILET SEAT:** The material is colour ingrained duroplast (UF A 10 = urea formaldehyde) that contains no environmentally hazardous substances. UF plastic comprises 67% urea formaldehyde resin, 28% cellulose, as well as 5% minerals, pigments and moisture content. The raw material from the supplier contains less than 0,03% formaldehyde after a special curing process.

**BUFFERS:** EVA (copolymer made of ethylene and vinyl acetate).

**DAMPER KIT:** Hydraulic damper with stainless steel damper casing and plastic parts.  
Damper liquid: Anti-friction liquid.

**MOUNT/HINGE:** Stainless steel.

## Guarantee

The guarantee includes faults or defects in the material of our products within a periode of 10 years. Products subject to minor technical modifications and design deviations E. & O.E.