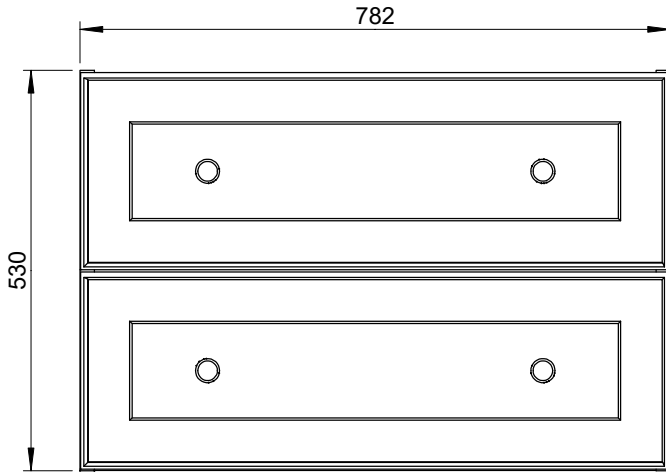
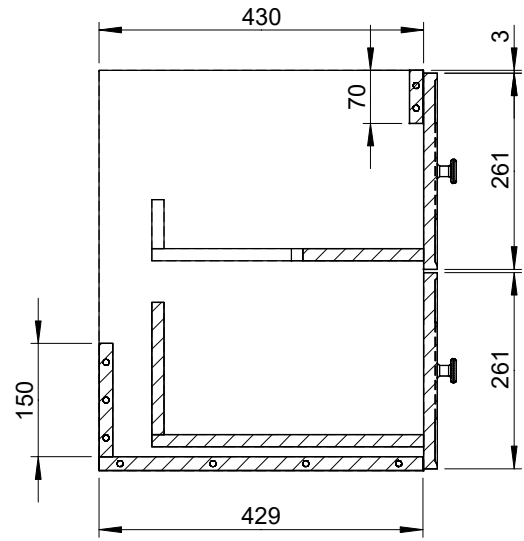


A



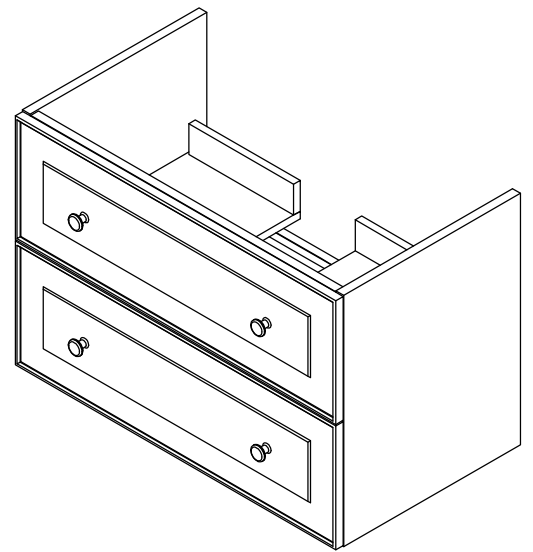
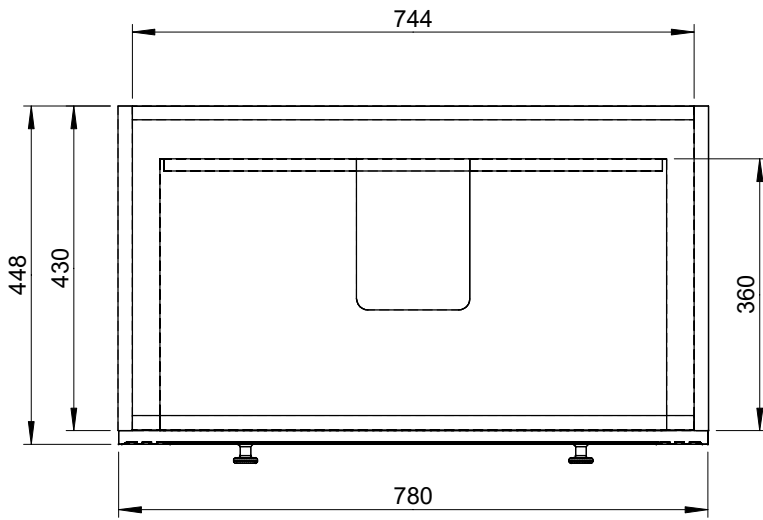
B

B - B



B

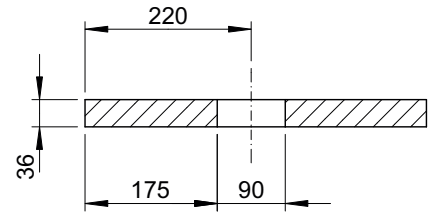
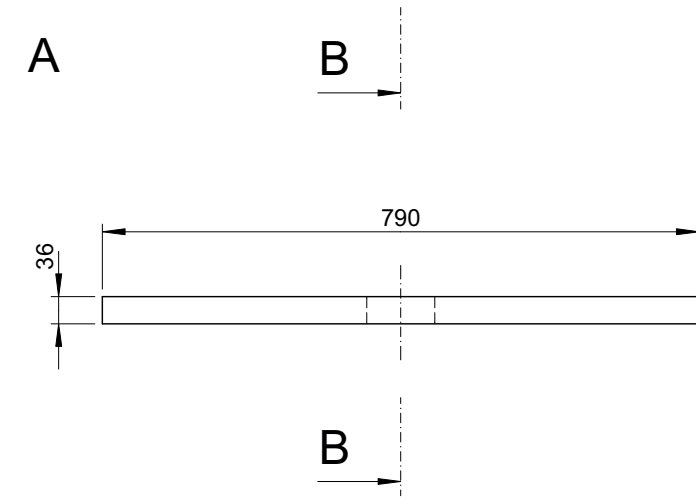
C



A

B

B - B



C

