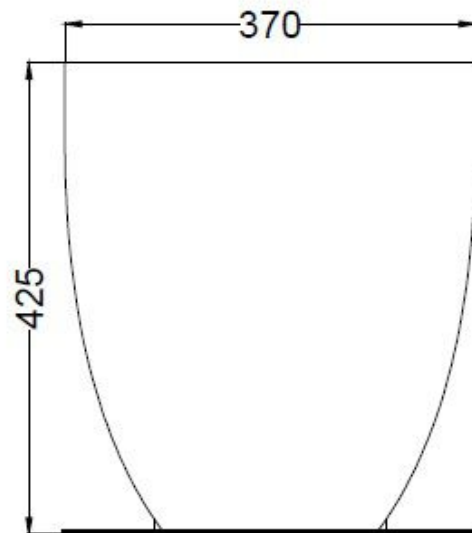
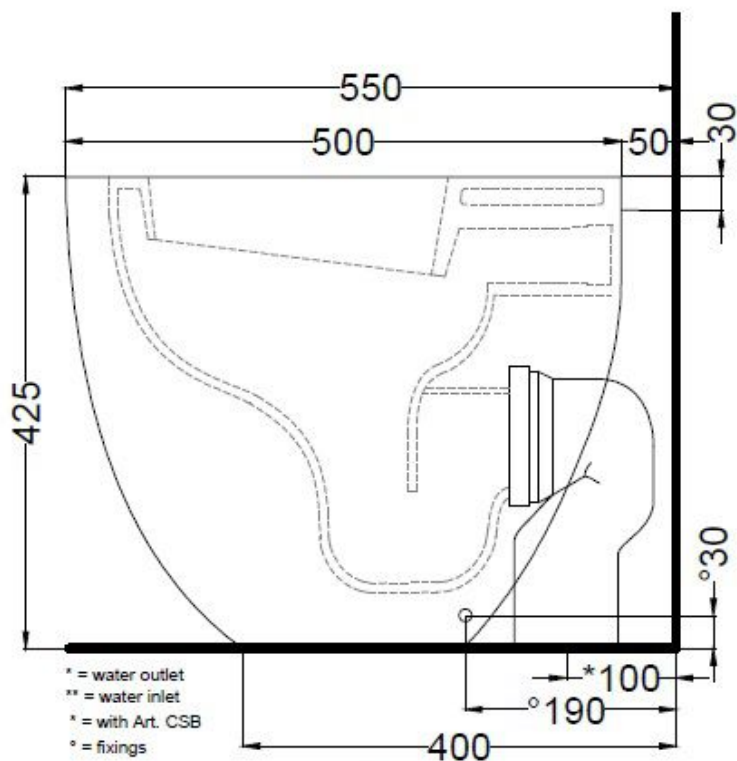


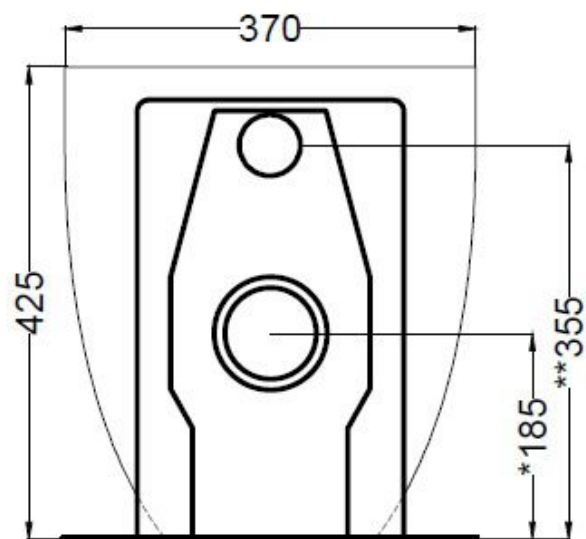
TOP



FRONT



SIDE



BACK

- \* = water outlet
- \*\* = water inlet
- ° = with Art. CSB
- ° = fixings