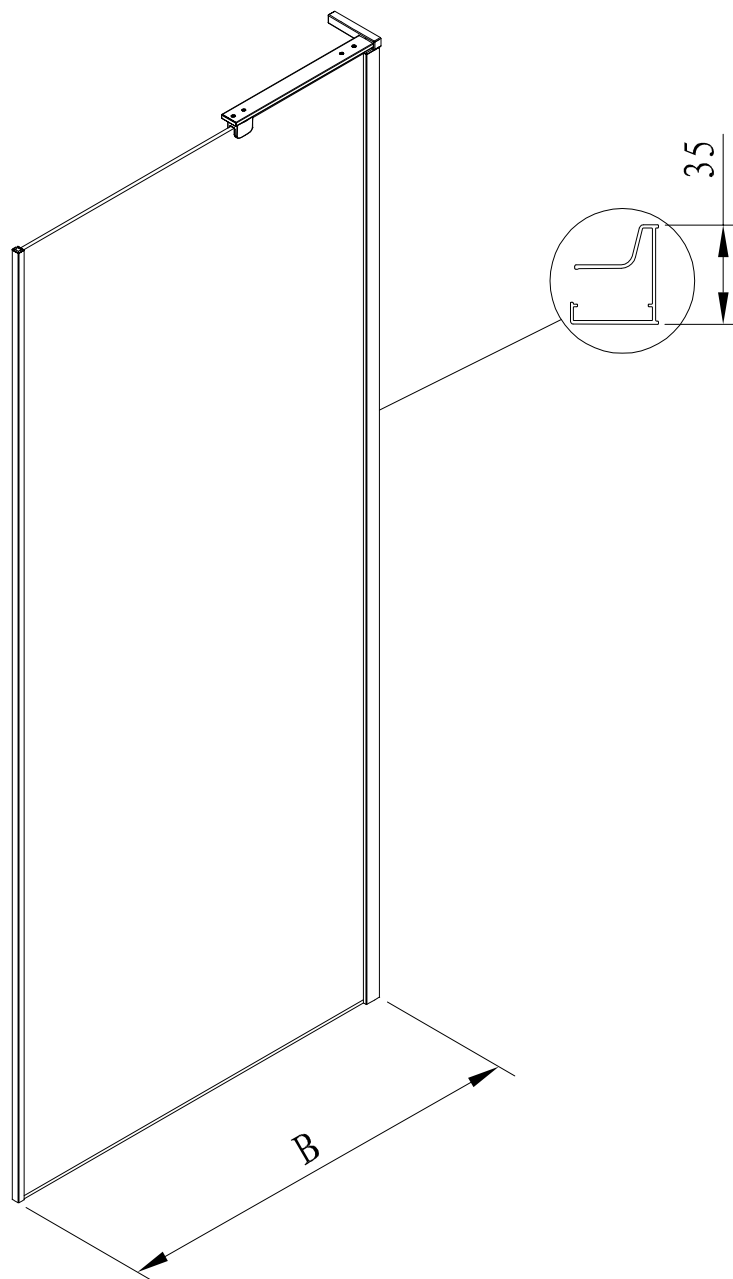
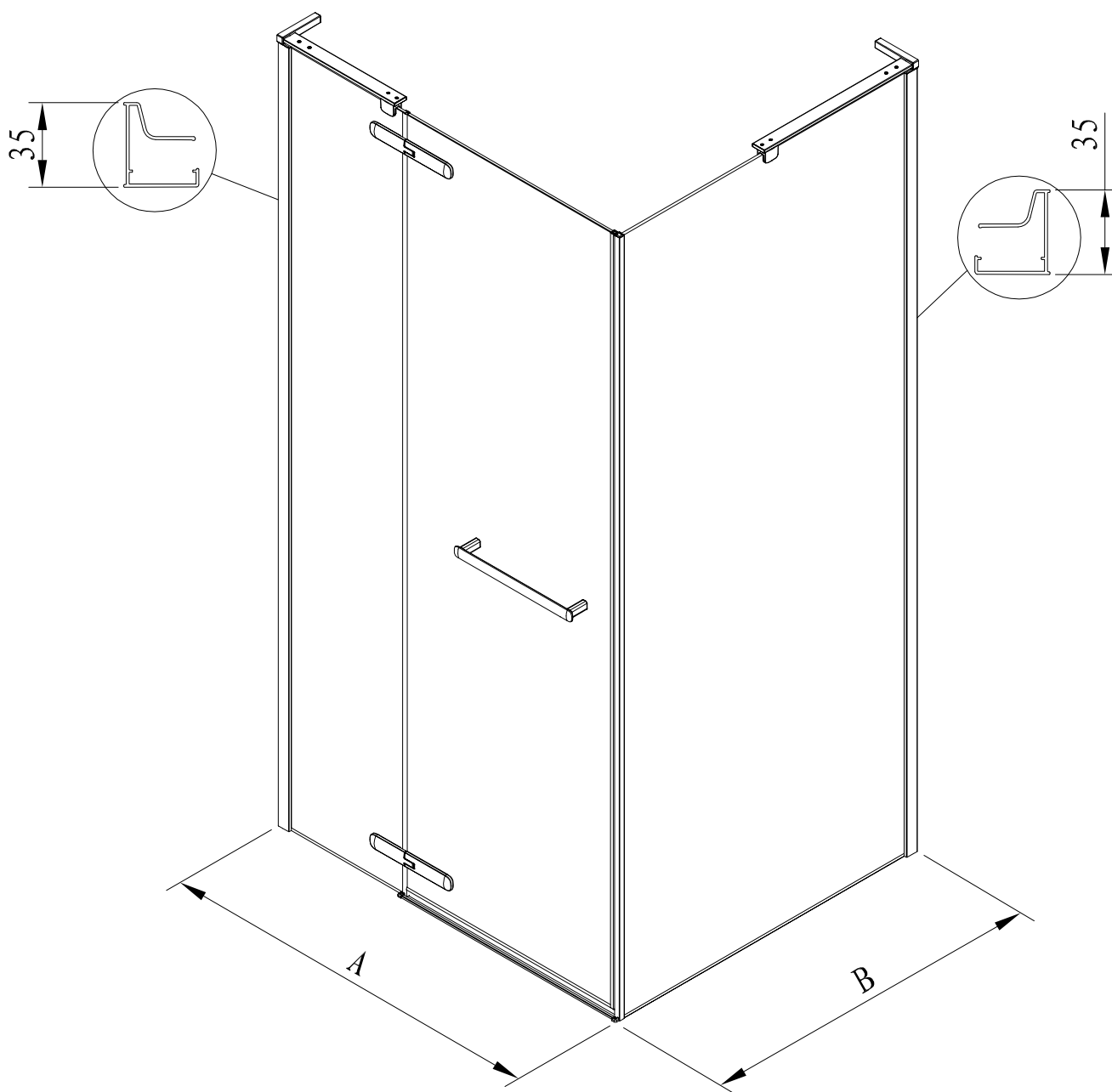


		A (mm)
SATTGDN80CRT	SATMAGNIKACR	780-805
SATTGDN90CRT		880-905
SATTGDN100CRT		980-1005
SATTGDN120CRT		1180-1205
SATTGDN80CT	SATMAGNIKAC	780-805
SATTGDN90CT		880-905
SATTGDN100CT		980-1005
SATTGDN120CT		1180-1205



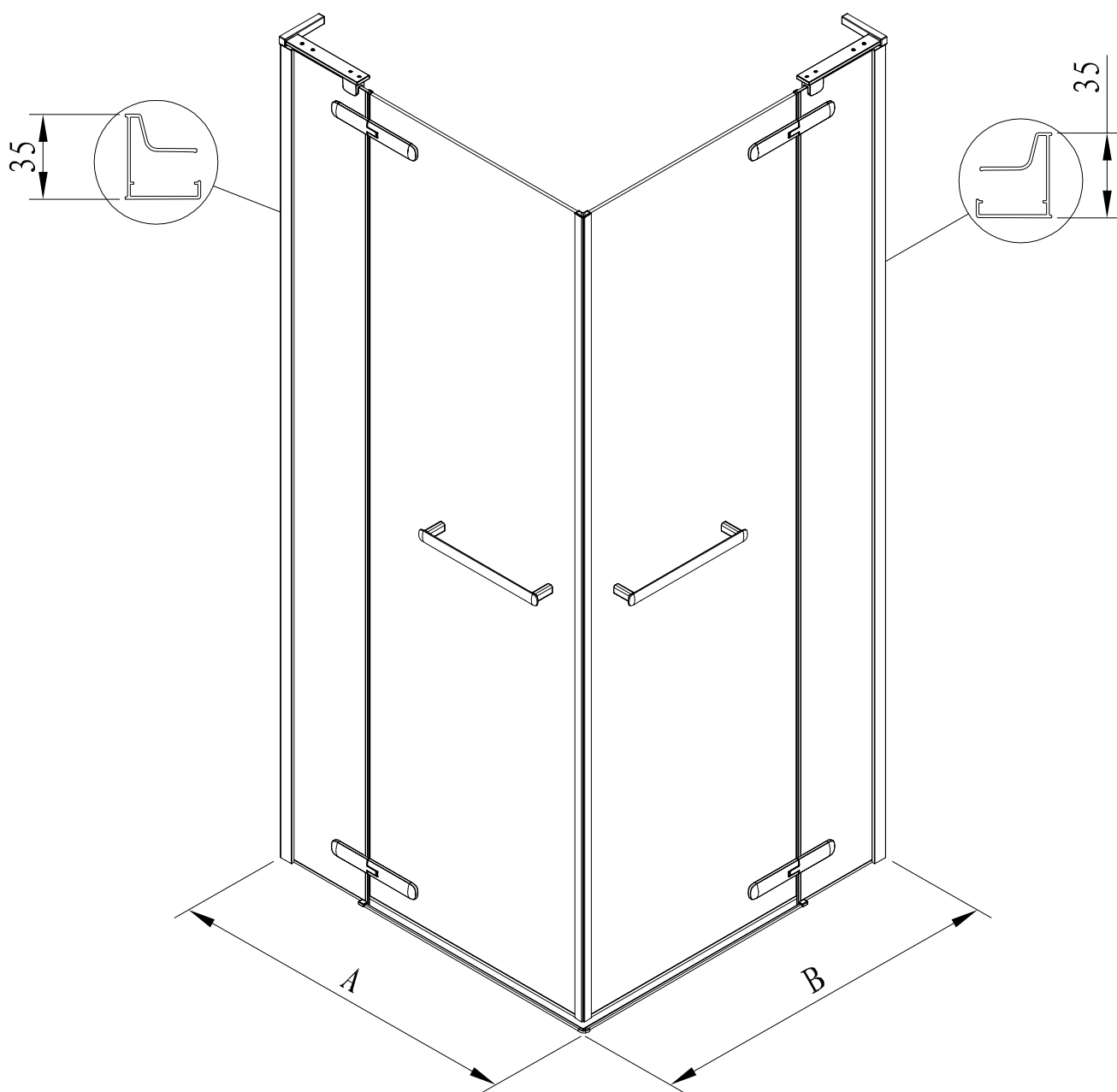
	B (mm)
SATTGDNSTENA80CRT	775-790
SATTGDNSTENA90CRT	875-890
SATTGDNSTENA100CRT	975-990

	B (mm)
SATTGDNSTENA80CT	775-790
SATTGDNSTENA90CT	875-890
SATTGDNSTENA100CT	975-990

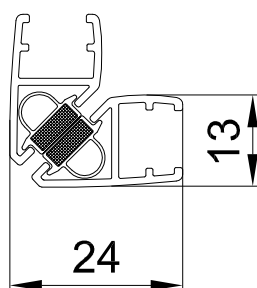
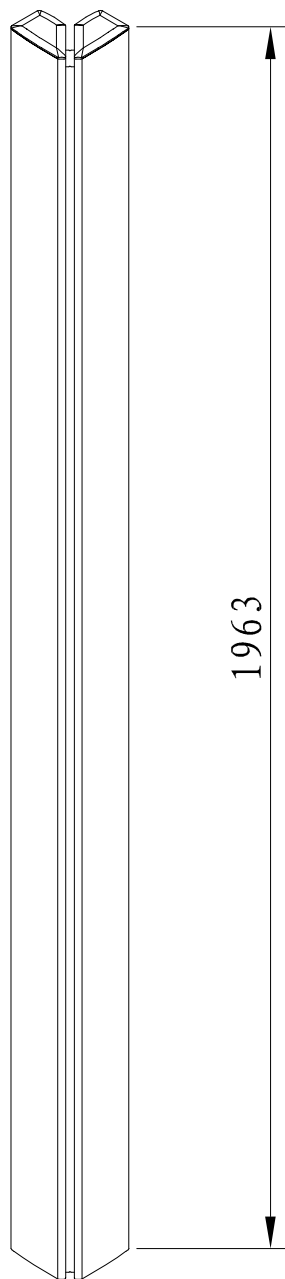


	A (mm)
SATTGDN80CRT	775-790
SATTGDN90CRT	875-890
SATTGDN100CRT	975-990
SATTGDN120CRT	1175-1190
SATTGDN80CT	775-790
SATTGDN90CT	875-890
SATTGDN100CT	975-990
SATTGDN120CT	1175-1190

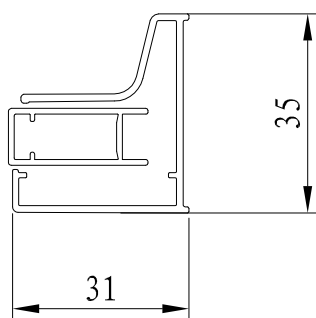
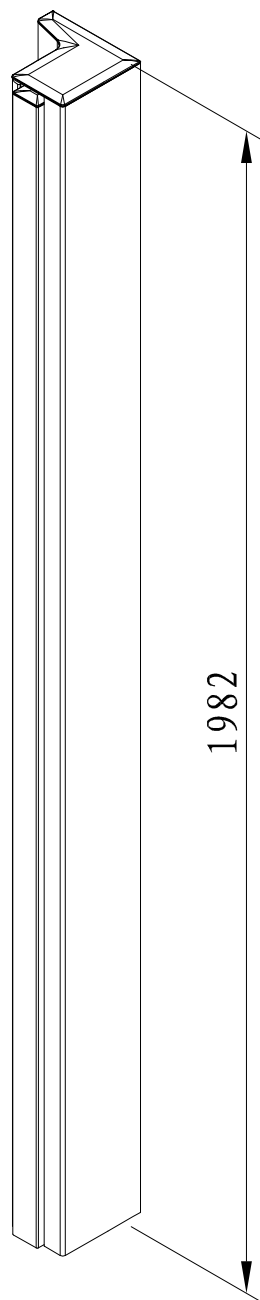
	B (mm)
SATTGDNSTENA80CRT	775-790
SATTGDNSTENA90CRT	875-890
SATTGDNSTENA100CRT	975-990
SATTGDNSTENA80CT	775-790
SATTGDNSTENA90CT	875-890
SATTGDNSTENA100CT	975-990



	A (mm)		B (mm)	
SATTGDN80CRT	765-780	SATMAGROHCR	SATTGDN80CRT	765-780
SATTGDN90CRT	865-880		SATTGDN90CRT	865-880
SATTGDN100CRT	965-980		SATTGDN100CRT	965-980
SATTGDN120CRT	1165-1180		SATTGDN120CRT	1165-1180
SATTGDN80CT	765-780	SATMAGROHC	SATTGDN80CT	765-780
SATTGDN90CT	865-880		SATTGDN90CT	865-880
SATTGDN100CT	965-980		SATTGDN100CT	965-980
SATTGDN120CT	1165-1180		SATTGDN120CT	1165-1180



SATMAGROHCR
SATMAGROHC



SATMAGNIKACR
SATMAGNIKAC