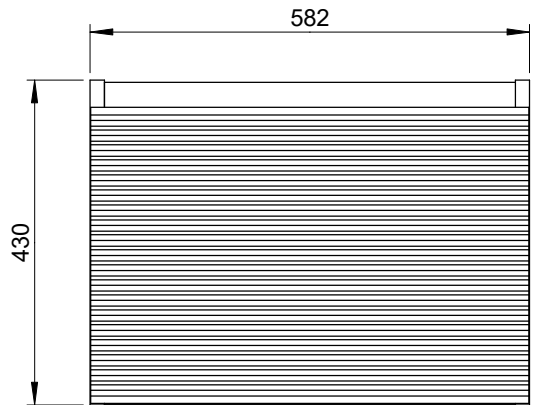
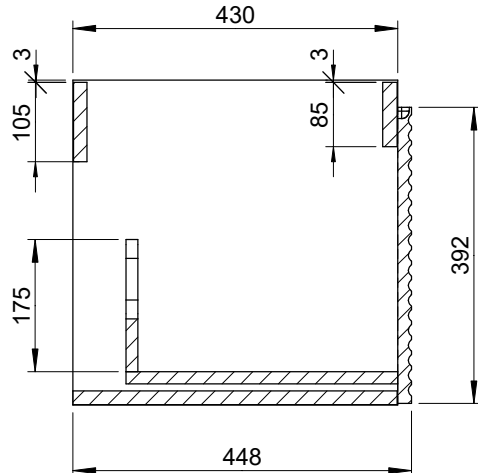


A

B

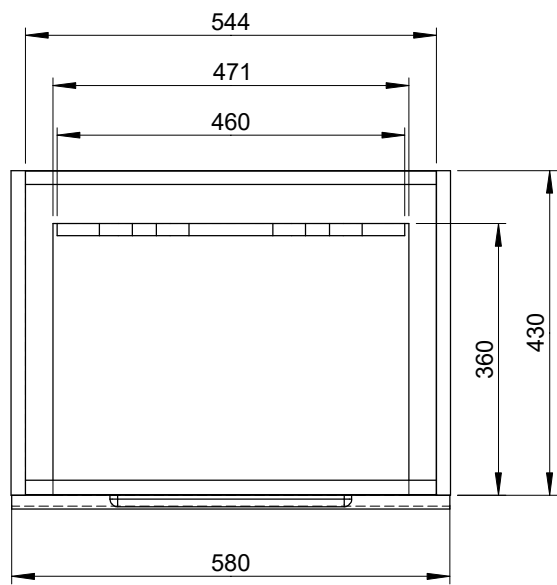


B - B



B

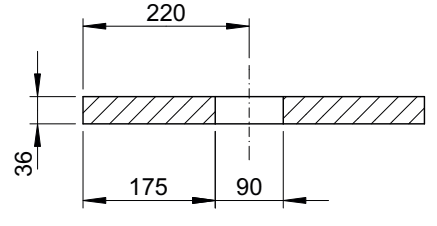
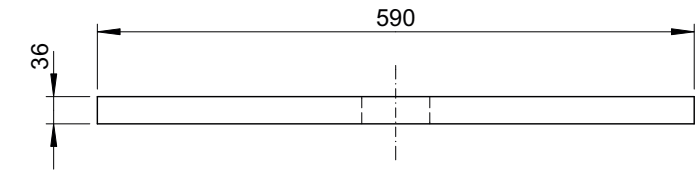
C



A

B

B - B



B

C

