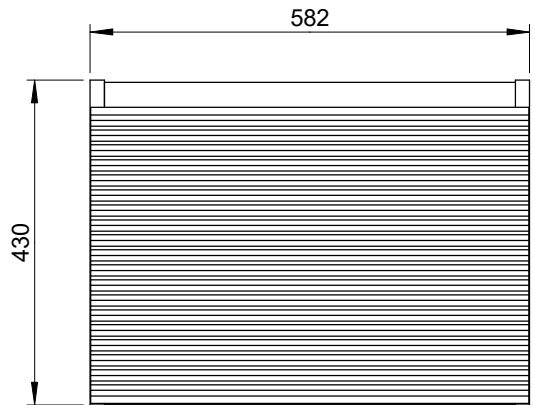
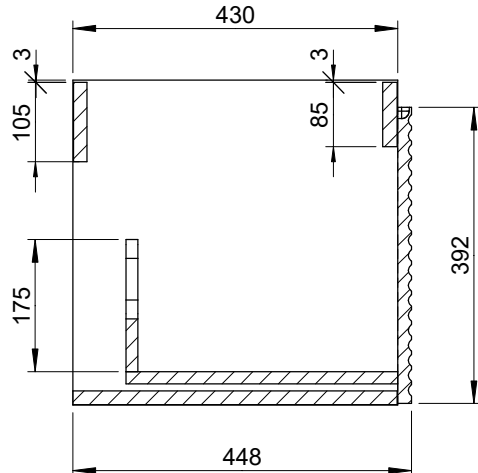


A

B



B - B



B

C

