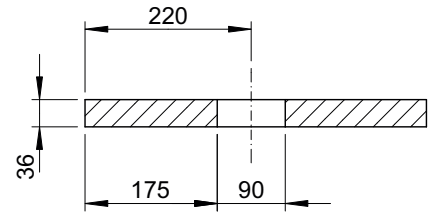
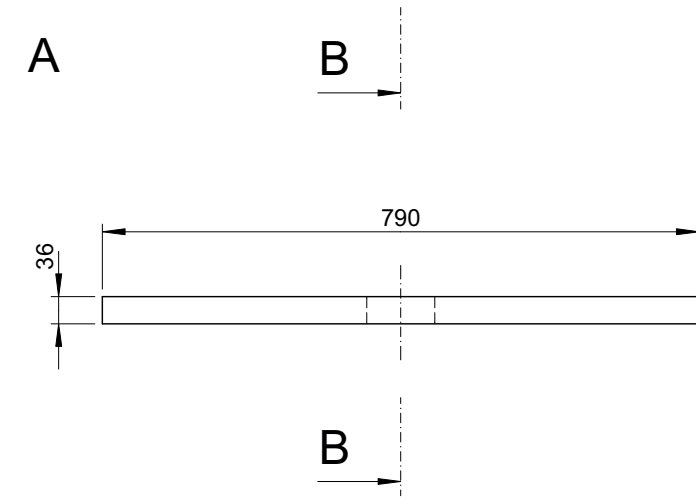


A

B

B - B



C

