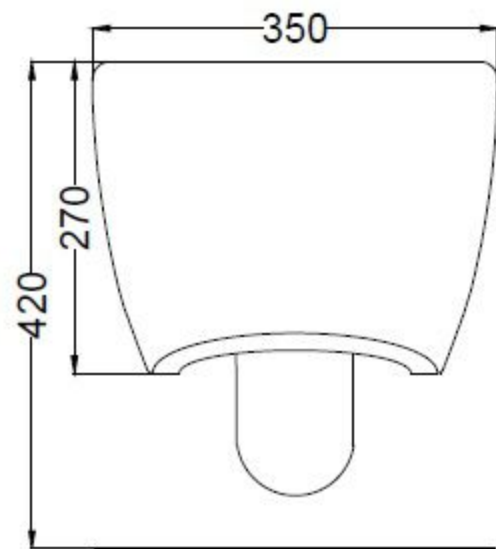
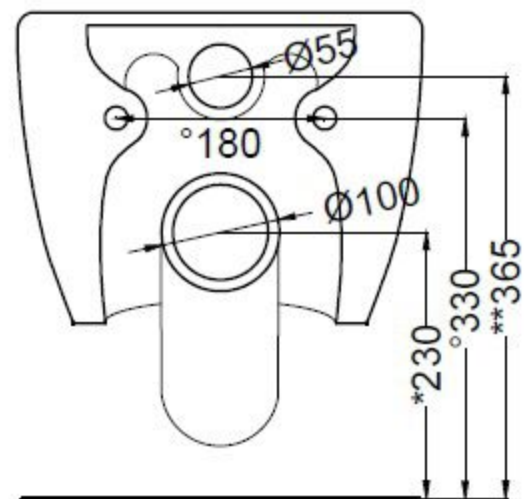
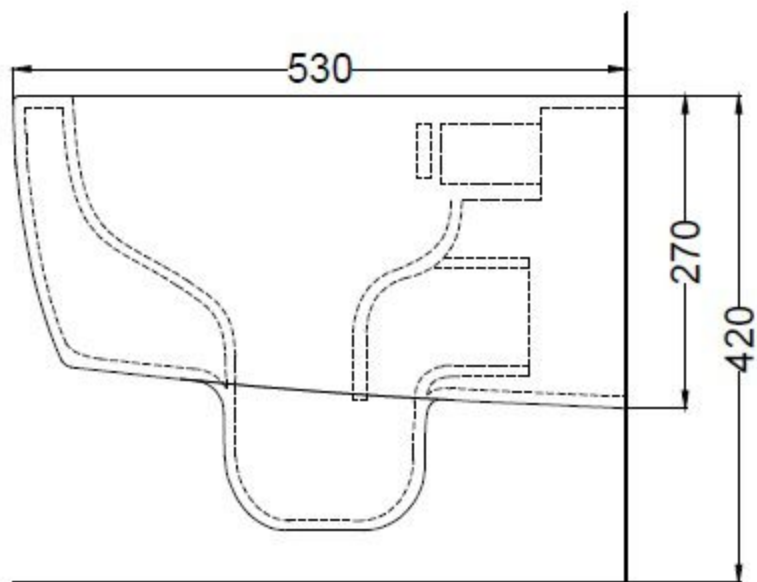


TOP



FRONT



- \* = water outlet
- \*\* = water inlet
- ° = fixings